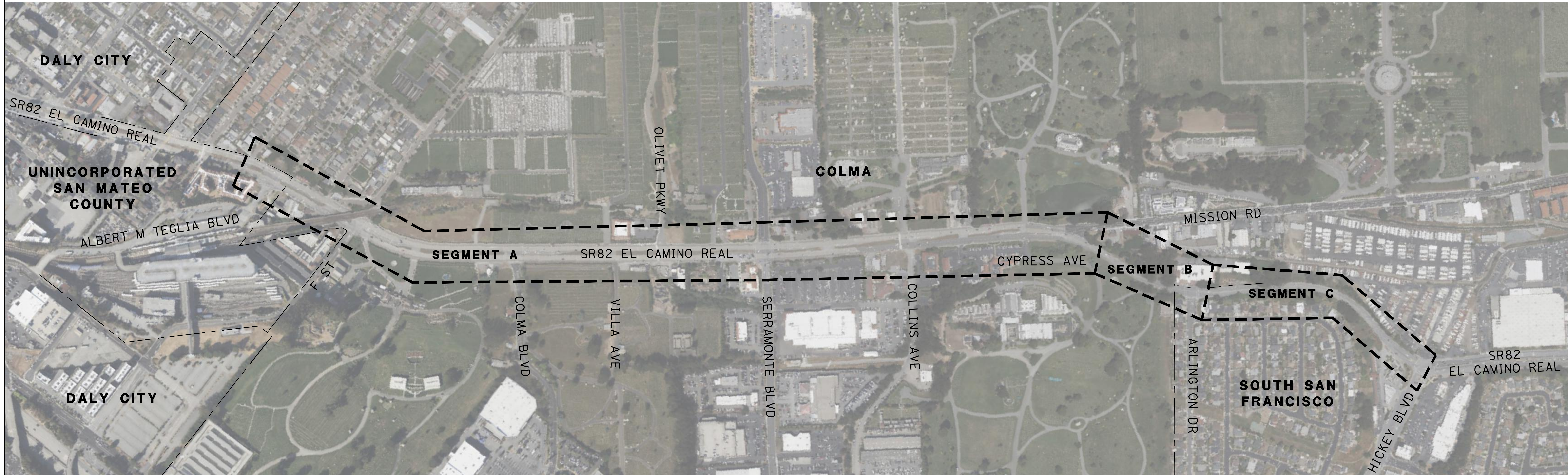
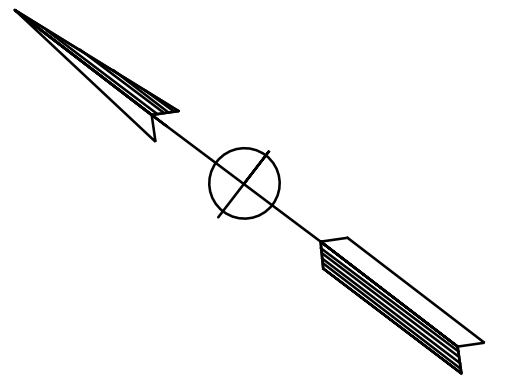


LEGEND:

- PROJECT AREA
- - - CITY LIMITS



0 150 300
SCALE: 1"=300'

**EL CAMINO REAL BICYCLE & PEDESTRIAN IMPROVEMENTS PROJECT
PROJECT AREA MAP**